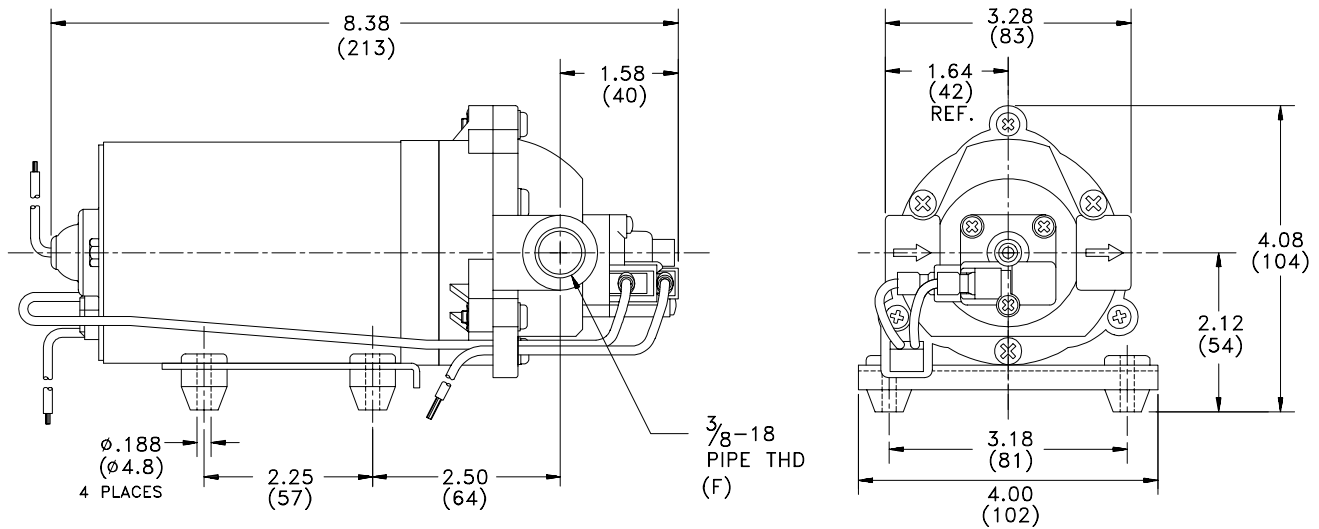


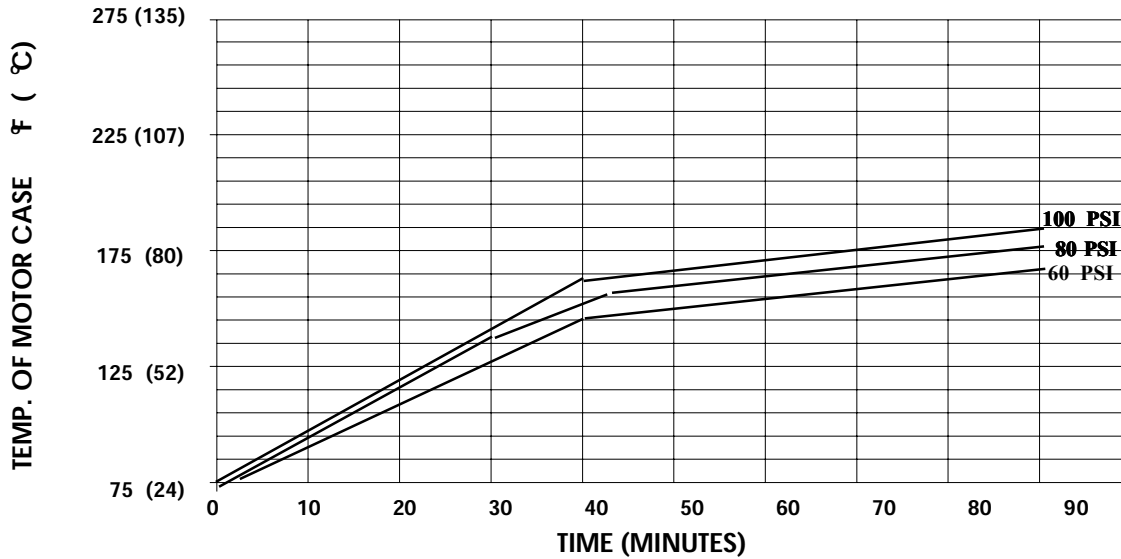
SPECIFICATIONS:

- MODEL NUMBER:** 8000-813-238
- PUMP DESIGN:** Positive Displacement 3 Chamber Diaphragm Pump
- CHECK VALVE:** (2-Way Op.) Prevents Reverse Flow & 6 Ft. Head Forward Flow
- CAM:** 3.0 Degree
- MOTOR:** Permanent Magnet, P/N 11-150-10, Thermally Protected
- VOLTAGE:** 115 VAC Nominal
- PRESSURE SWITCH:** Adjustable Shut-Off (Range 80-100 PSI)
 Factory Set @ 100 PSI, Turn On 85 PSI ± 5 PSI
- LIQUID TEMPERATURE:** 180 Degrees Fahrenheit (82 Degrees Centigrade) Max.
- PRIME:** Self-Priming Up To 8 Ft. Vertical,
 Max. Inlet Pressure 30 PSI (2.1 Bar)
- PORTS:** 3/8"-18 NPT Female
- MATERIAL OF CONSTRUCTION:**
 - PLASTICS-** Nylon
 - VALVES-** Viton
 - DIAPHRAGM-** Santoprene
 - FASTENERS-** Zinc Plated Steel
- NET WEIGHT:** 4.8 Lbs (2.18 Kg)
- DUTY CYCLE:** Intermittent (See Temperature Rise Chart)
- TYPICAL APPLICATIONS:** Soil Extraction, Water Delivery
- APPROVALS:** UL/CSA Recognized Component

DIMENSIONS:



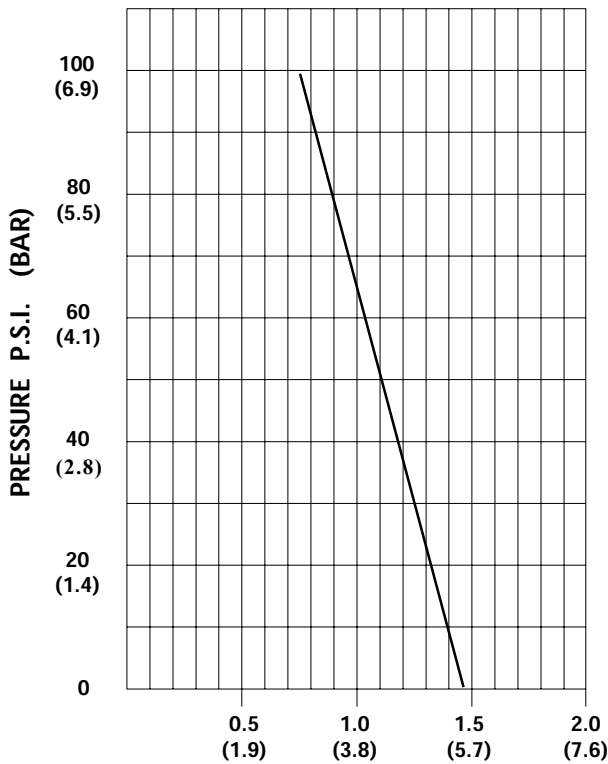
TEMPERATURE RISE



THIS GRAPH IS FOR USE AS A DESIGN GUIDE. IT IS BASED ON RUNNING CONTINUOUSLY WITH AN AMBIENT TEMPERATURE OF 75° F IN STILL AIR. THE THERMAL BREAKER WILL OPEN WHEN THE CASE TEMPERATURE REACHES 190° F.

[----- TRIP POINT OF THERMAL PROTECTOR]

TYPICAL PERFORMANCE



PRESSURE (PSI)	FLOW (GPM/LIT)	RPM MIN/MAX	CURRENT (AMPS)	VOLTAGE (VOLTS)
OPEN	1.47/5.6	2260/2275	0.40	115VAC
10	1.35/5.1	2160/21.80	0.46	
20	1.26/4.8	2095/21.10	0.51	
30	1.17/4.4	1965/1980	0.56	
40	1.10/4.2	1905/1915	0.61	
50	1.05/4.0	1860/1870	0.65	
60	1.00/3.8	1810/1820	0.70	
70	0.96/3.6	1760/1770	0.74	
80	0.93/3.5	1716/1720	0.78	
90	0.89/3.4	1715/1720	0.82	
100	0.85/3.2	1670/1675	0.85	

FLOW - GALLONS PER MINUTE (LITERS PER MINUTE)

-SPECIFICATIONS SUBJECT TO CHANGE WITHOUT NOTICE.

-ALL DATA BASED ON TESTING WITH WATER.