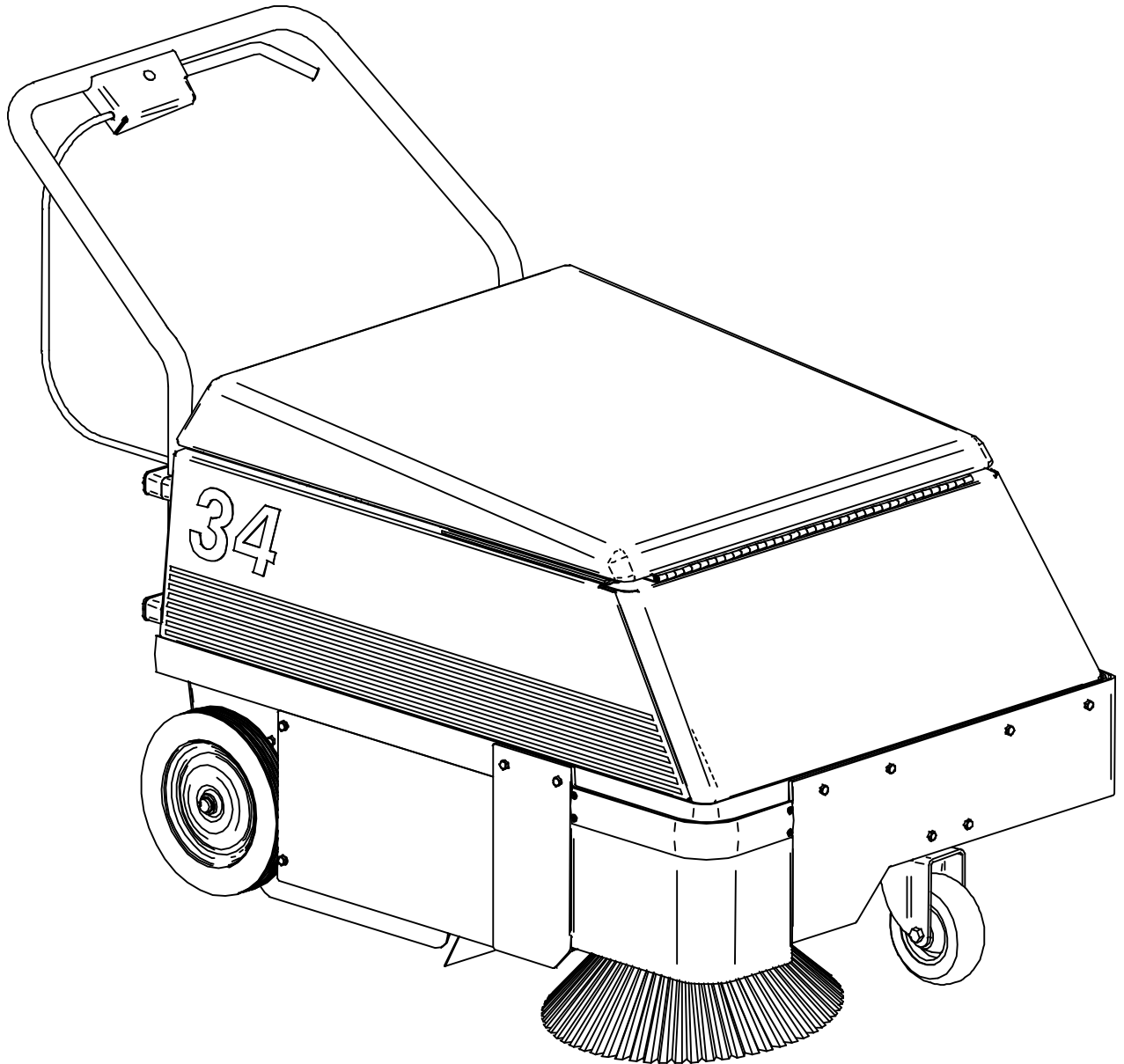


Version 3.1

PARTS MANUAL

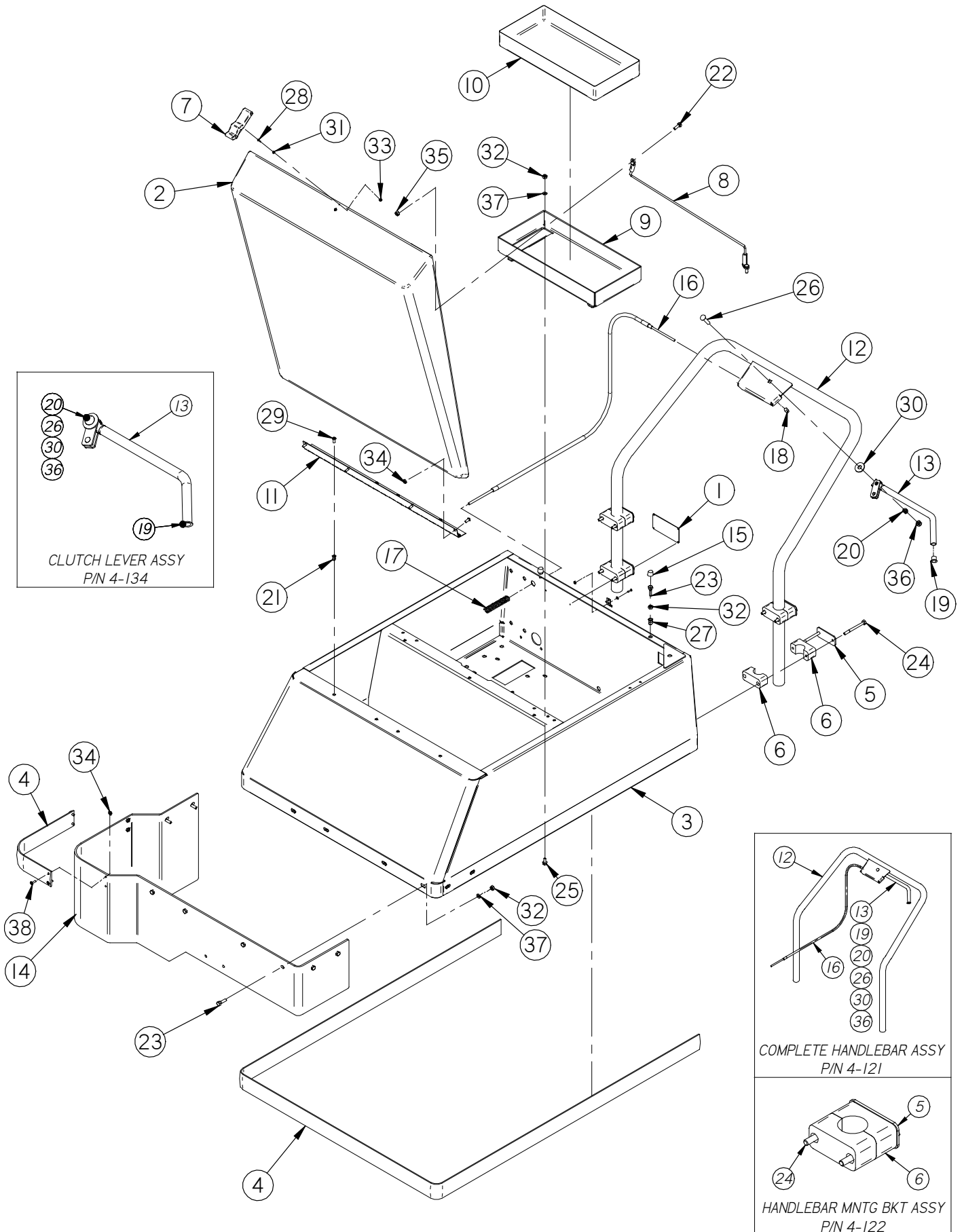
MODEL 34



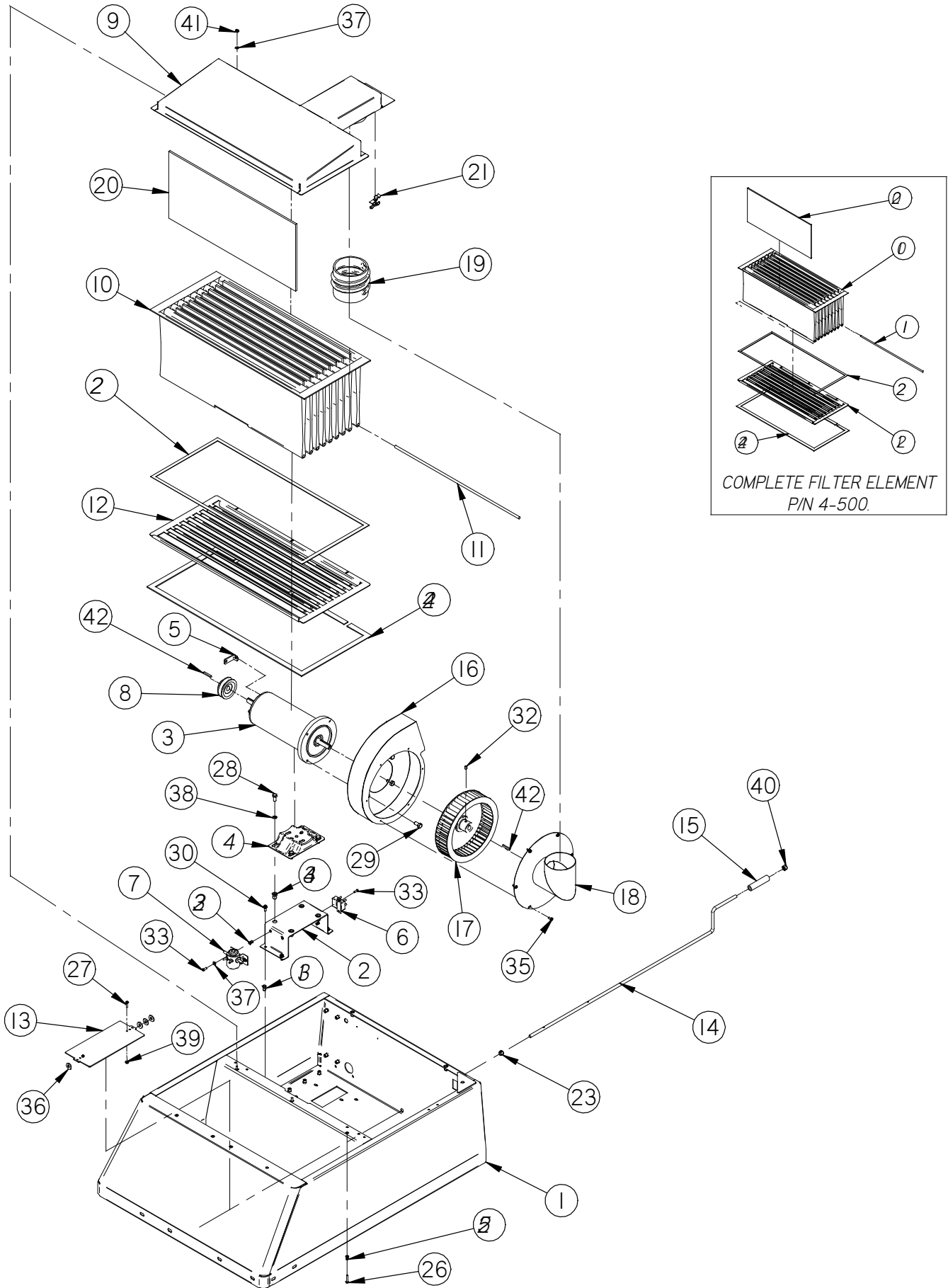
R.P.S. Corporation
P.O. Box 368
Racine, Wisconsin 53401

Phone: 1-800-634-4060
Fax: 1-866-632-6961

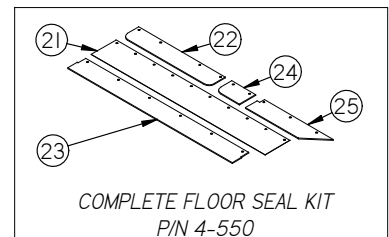
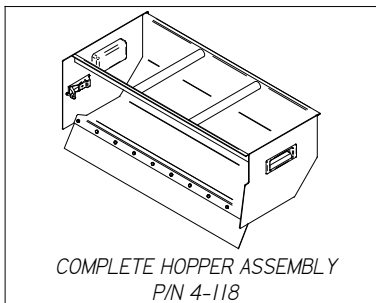
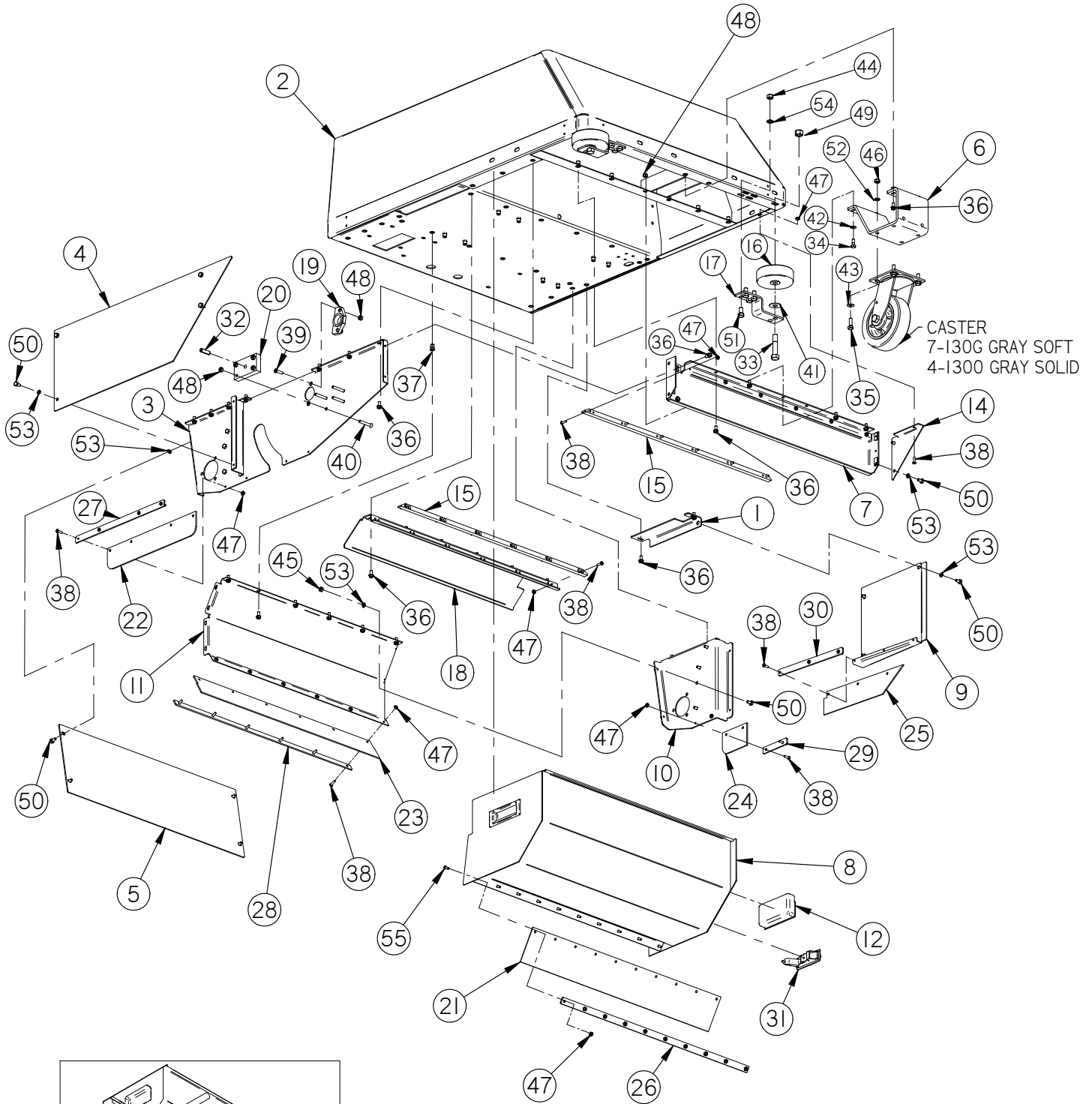
Upper Body Assembly 4
Air System 6
Lower Body Assembly 8
Side Broom Assembly 10
Main Broom Assembly 12
Drive System 14
Power Supply 16



Item	Part No.	Description	Comments	Qty
1	4-101 21-0101	SERIAL NO. PL. (FACTORY CAT) SERIAL NO. PL. (TOMCAT)		1
2	4-110	HOOD		1
3	4-111	MAIN BODY		1
4	4-112	2" BLK STRIP BUMPER	12 FT SECTION	1
5	4-122A	HANDLEBAR MTG BKT	4-122 INCL. 4-122A, 4-122B, & HARDWARE	4
6	4-122B	BLACK PLASTIC CLAMP	4-122 INCL. 4-122A, 4-122B, & HARDWARE	8
7	4-124	HOOD LATCH	COMPLETE 2 PC WITH RIVETS	1
8	4-126A	HOOD CABLE		1
9	4-128	BATTERY TRAY		1
10	4-128A	BATTERY TRAY LINER		1
11	4-131	HINGE 23 3/4" SS		1
12	4-132	HANDLE BAR WELDMENT	P/N 4-121 INCL. ITEMS 12,13,16,19,20,26,30, & 36	1
13	4-134A	CLUTCH LEVER	P/N 4-134 INCL. ITEMS 19,20,26,30,& 36	1
14	4-140	BUMPER	INCLUDES HARDWARE (OPTIONAL)	1
15	4-170	RUBBER HOOD STOP		2
16	4-370	CLUTCH/BRAKE CABLE		1
17	4-371	CLUTCH CABLE RETURN SPRING		1
18	4-379	CLUTCH CABLE ADJ. NUT		1
19	4-387	TUBE PLUG		1
20	4-388	CLUTCH TENSION SPRING		1
21	H-1032HCN	HCN #10-32		7
22	H-13003	HCS 1/4"-20 X 3/4"		2
23	H-13005	HCS 1/4"-20 X 1"		10
24	H-13015	HCS 1/4"-20 X 3"		8
25	H-19901	FB CASHD 1/4"-20 X 1/2"		4
26	H-21259	CB 5/16"-18 X 1 1/2"		1
27	H-250HCN	HCN 1/4"-20		50
28	H-28679	PPH #4-40 X 1/2"		4
29	H-29049	PPH #10-32 X 1/2"		8
30	H-33008	FW 3/8" SAE		1
31	H-33066	FW #4 SAE		4
32	H-36102	HN 1/4"-20		14
33	H-37006	NYLOK #4-40		4
34	H-37015	NYLOK #10-32		8
35	H-37018	NYLOK 1/4"-20		2
36	H-37021	NYLOK 5/16"-18		1
37	H-71063	LW 1/4" SS		12
38	H-72683	FHP #10-32 X 5/8"		4

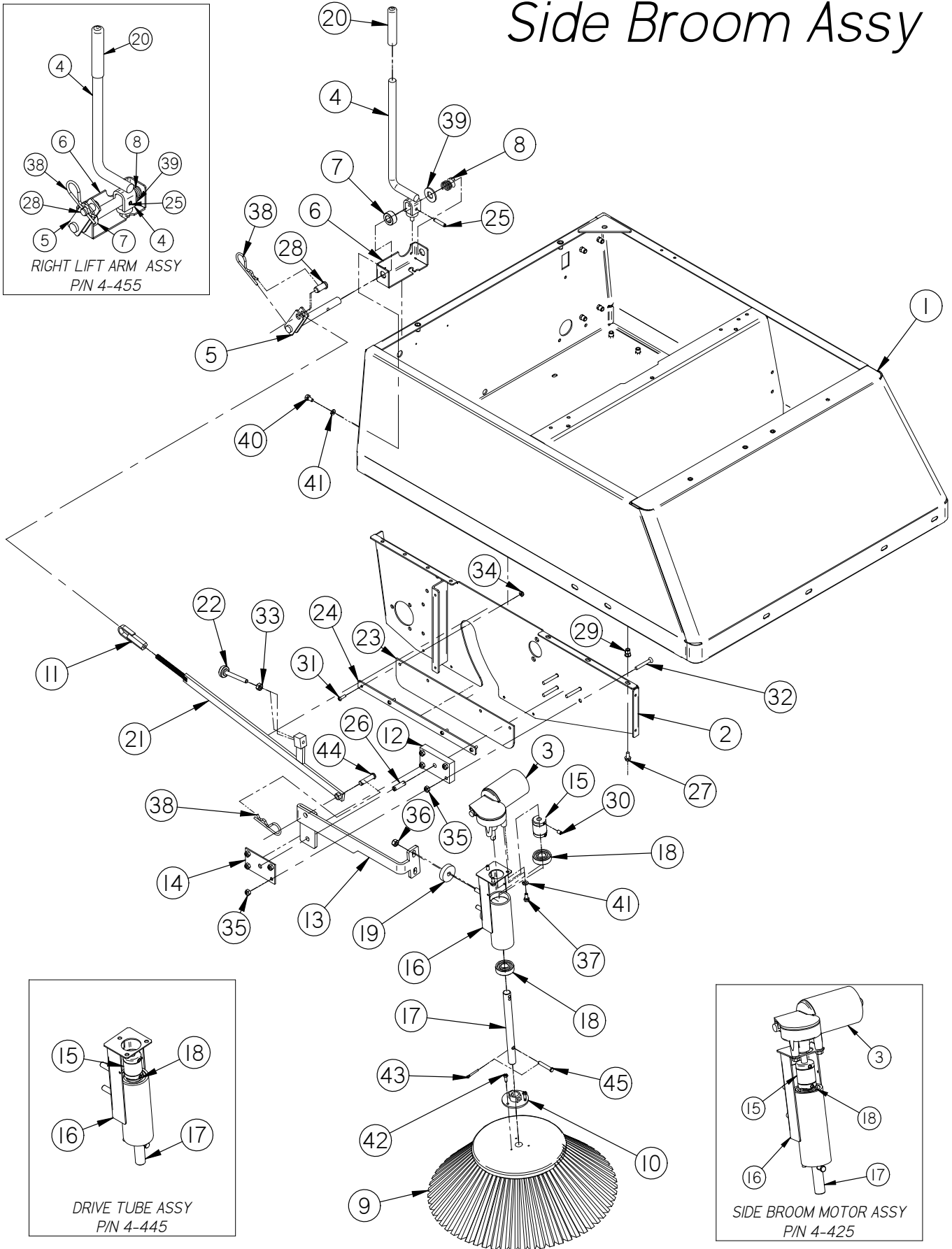


Item	Part No.	Description	Comments	Qty
1	4-III	MAIN BODY		1
2	4-125	MOTOR SUPT BRACKET		1
3	4-201	12V,TWIN SHAFT MOTOR		1
4	4-201B	MOTOR CRADLE		1
5	4-210	TERMINAL CLIP		1
6	4-232	CIR. BREAKER - 12V/80A		1
7	4-233	12V SOLENOID		1
8	4-301	MAIN DRIVE PULLEY		1
9	4-501	FILTER HOOD		1
10	4-502	FILTER ELEMENT	P/N 4-502 INCL. P/N 4-502K, SEAL KIT	1
11	4-503A	FILTER WEIGHT ROD	P/N 4-503 INCL. SET OF 9 RODS	9
12	4-505	FILTER GRILL		1
13	4-506	FILTER BEATER BAR		1
14	4-507	BEATER BAR		1
15	4-509	BEATER BAR HANDLE		1
16	4-511	BLOWER HOUSING		1
17	4-512	BLOWER WHEEL		1
18	4-513	BLOWER DOOR		1
19	4-520A	BLOWER HOSE		1
20	4-521A	FILTER SEPARATOR	P/N 4-521 INCL. SET OF 9 SEPARATORS	9
21	4-522	DOOR LATCH	INCLUDES SET OF 2	1
22	H-002	1/2" DBL SIDED TAPE	P/N 4-502K INCL. P/N H-002 & H-048	1
23	H-00287	.375 HEYCO COLLAR		1
24	H-048	3/16" PVC FOAM	P/N 4-502K INCL. P/N H-002 & H-048	1
25	H-1032HCN	HCN #10-32		15
26	H-10436-00106	HXMS #10-32 X 1"		1
27	H-10436-00107	FB #8-32 X 3/4"		1
28	H-13053	HCS 5/16"-18 X 3/4"		1
29	H-13103	HCS 3/8"-16 X 3/4"		1
30	H-19901	FB CASHD 1/4"-20 X 1/2"		1
31	H-250HCN	HCN 1/4"-20		50
32	H-25328	SSS CP 1/4"-20 X 3/8"		1
33	H-29048	RPH #10-32 X 1/2"		2
34	H-312HCN	HCN 5/16"-18		4
35	H-31810	HW #10 X 1/2		1
36	H-33008	FW 3/8" USS		1
37	H-33074	FW #10 SAE		2
38	H-33620	LW 5/16"		1
39	H-37012	NYLOK #8-32		1
40	H-37024	NYLOK 3/8"-16		1
41	H-37408	KN #10-32		1
42	H-K14320	3/16" X 1 1/4" KEY		2



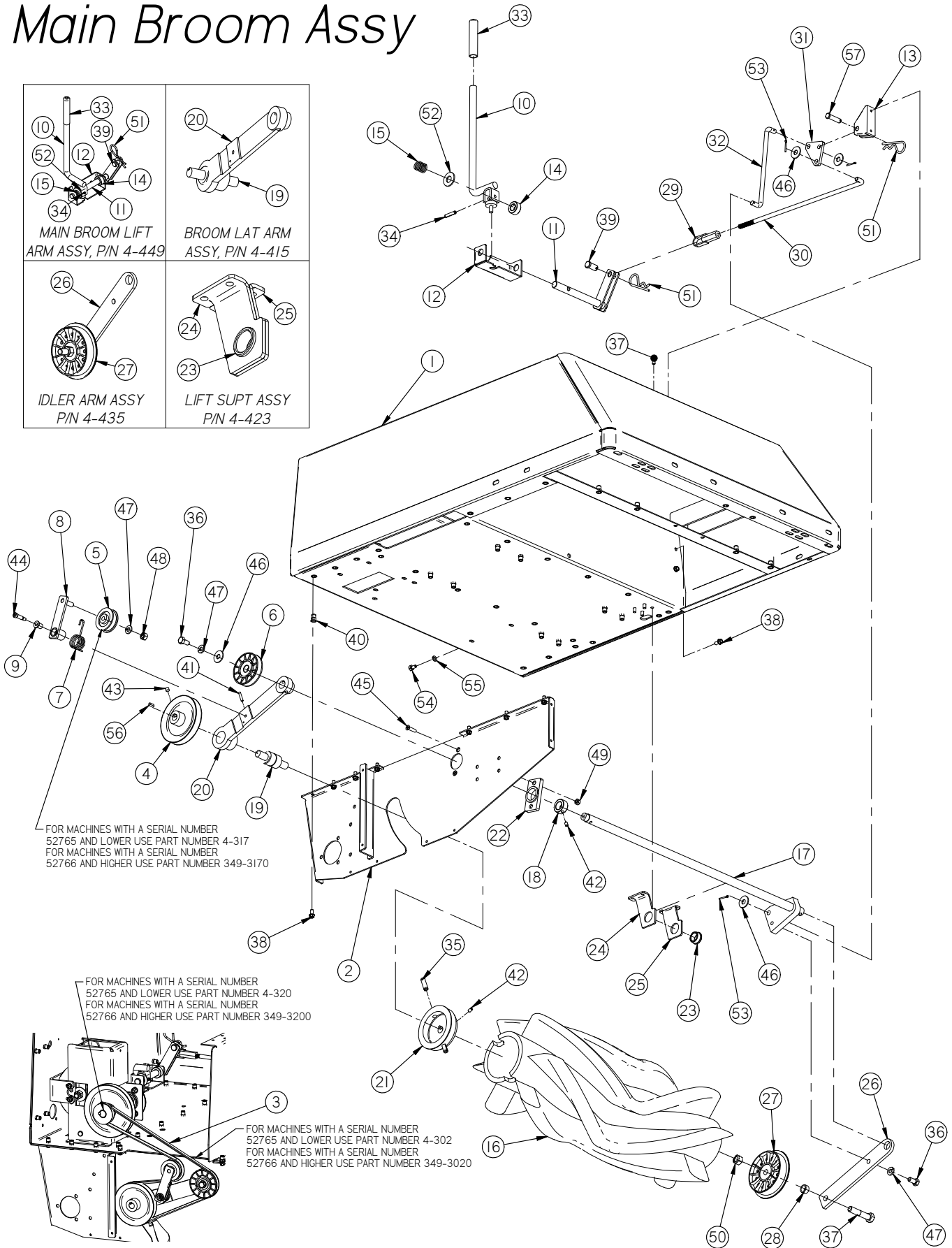
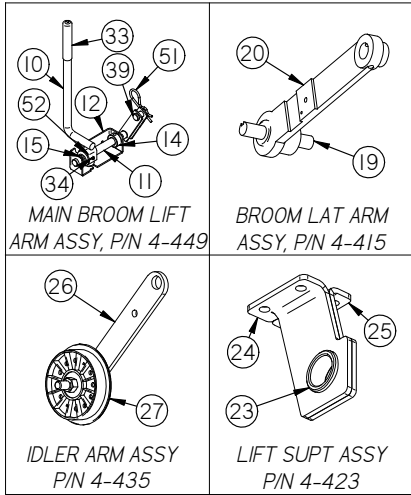
Item	Part No.	Description	Comments	Qty
1	4-108	DOOR MNT ANGLE		1
2	4-111	MAIN BODY		1
3	4-113	R. INNER SIDE PANEL		1
4	4-114	SKIRT PLATE, RT		1
5	4-115	SKIRT PLATE REAR		1
6	4-116	CASTER MTG BRACKET		1
7	4-117	FRONT CROSS PANEL	4-118 INCL. 4-118B, 4-127, 5-130, SEALS & HARDWARE	1
8	4-118B	HOPPER BODY		1
9	4-119	BROOM ACCESS HATCH		1
10	4-120	REAR INNER PANEL, LT		1
11	4-123	INNER CURVED PANEL		1
12	4-127	HANDLE		2
14	4-135	L.F. PANEL GUSSET		1
15	4-141	HDPE HOPPER SLIDE		2
16	4-142	ROLLER		2
17	4-143	ROLLER BRACKET		2
18	4-384	ATTENUATOR		1
19	4-421	SUPPORT BLOCK		1
20	4-441	BROOM MOUNTING BLOCK		1
21	4-514	HOPPER FLOOR SEAL	P/N 4-550 INCLUDES: ITEMS 21,22,23,24, & 25	1
22	4-515	RIGHT FLOOR SEAL		1
23	4-516	REAR FLOOR SEAL		1
24	4-517	CORNER FLOOR SEAL		1
25	4-518	BROOM FLOOR SEAL		1
26	4-525	HOPPER SEAL STRIP		1
27	4-526	RH SEAL STRIP		1
28	4-527	REAR SEAL STRIP		1
29	4-528	CORNER SEAL STRIP		1
30	4-529	CURTAIN CLAMP		1
31	5-130	DOOR LATCH		1
32	H-10436-0105	3/8" X 1 1/4" SPRING PIN		1
33	H-77205	HCS 1/2"-13 X 1" SS		2
34	H-70003	HCS 1/4"-20 X 5/8" SS		2
35	H-70055	HCS 5/16"- 18 X 1" SS		4
36	H-19901	FB CASHD 1/4"-20 X 1/2"		29
37	H-250HCN	HCN 1/4"-20		50
38	H-72517	PPH #10-32 X 5/8" SS		28
39	H-72710	FHP 1/4"- 20 X 1" SS		2
40	H-72716	FHP 1/4"- 20 X 1-3/4"		4
41	H-71021	FW 1/2 ID X 1-1/4 OD SS		2
42	H-71013	FW 1/4 ID X 5/8 OD SS		2
43	H-71015	FW 5/16 ID X 3/4 OD SS		4
44	H-70712	HN 3/8"-16 SS		8
45	H-70710	HN 1/4"- 20 SS		8
46	H-70711	HN 5/16"- 18 SS		4
47	H-37015	NYLOK #10-32		35
48	H-37018	NYLOK 1/4"-20		8
49	H-37030	NYLOK 1/2"-13		2
50	H-70001	HCS 1/4"-20 X 1/2 SS"		21
51	H-70103	HCS 3/8"-16 X 3/4" SS		8
52	H-71065	LW 5/16" SS		4
53	H-71063	LW 1/4" SS		23
54	H-71067	LW 3/8" SS		8
55	H-71671	HXMS #10-32 X 1/2" SS		10

Side Broom Assy



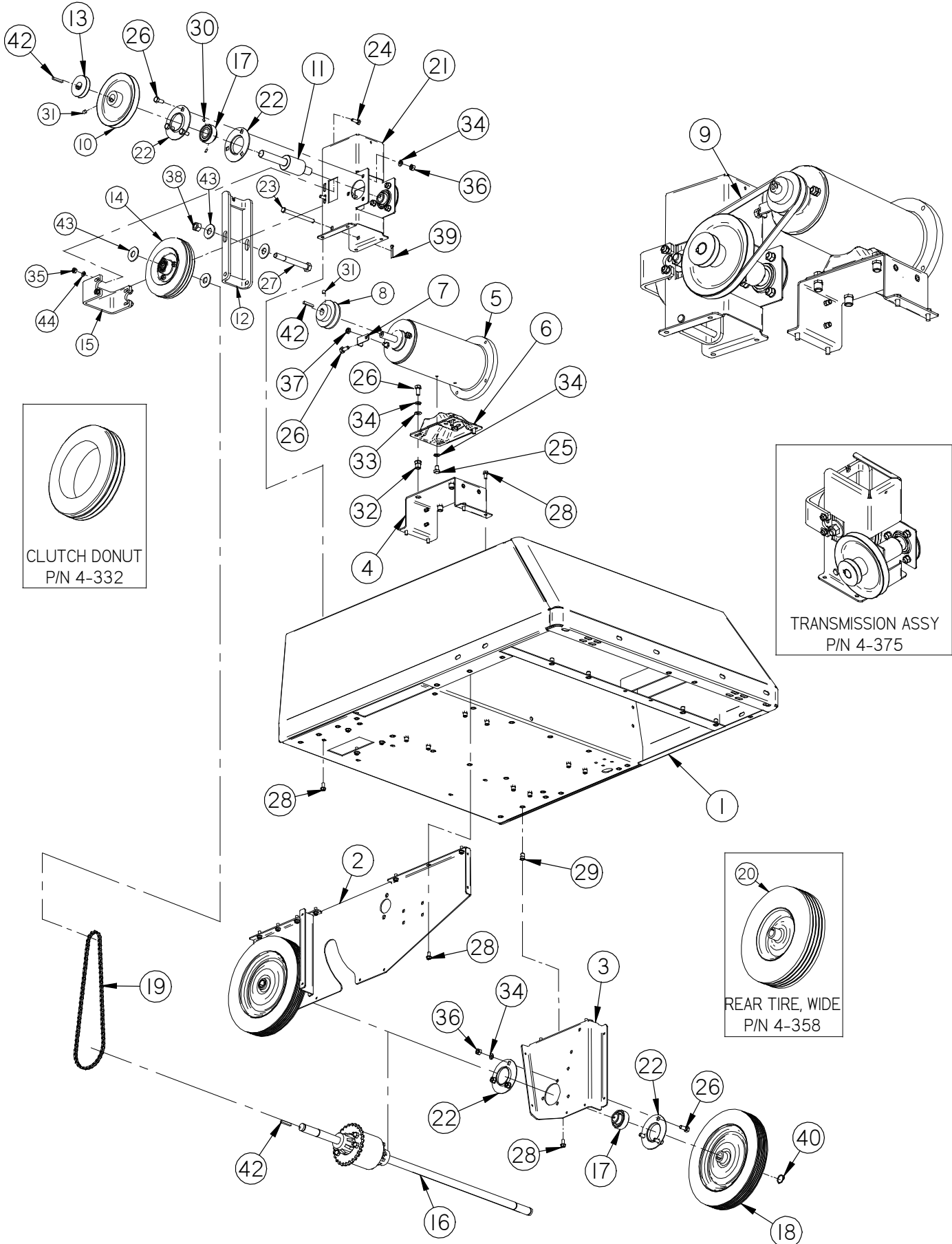
Item	Part No.	Description	Comments	Qty
1	4-111	MAIN BODY		1
2	4-113	R. INNER SIDE PANEL		1
3	4-220	SIDE BROOM MOTOR	P/N 4-425 INCL. ITEMS 3,15,16,17,18 & HARDWARE	1
4	4-376	BROOM LIFT LEVER	P/N 4-455 INCL. ITEMS 4,5,6,7,8,19 & HARDWARE	1
5	4-378	BROOM LIFT SHAFT		1
6	4-381	LIFT LEVER BASE, RT		1
7	4-385	LIFT LEVER COLLAR		1
8	4-386	LIFT LEVER SPRING		1
9	4-402	SIDE BROOM POLYPROPYLENE	P/N 4-402 INCLUDES P/N 4-404	1
10	4-404	SIDE BROOM CLUTCH PLATE	P/N 4-402 INCLUDES P/N 4-404	1
11	4-436	ADJ. BROOM LIFT		1
12	4-441	BROOM MOUNTING BLOCK		1
13	4-442	SIDE BROOM ARM		1
14	4-443	BROOM RETAINING PLATE		1
15	4-444	BROOM SAFETY DRIVE CPLG		1
16	4-445A	BROOM MOTOR MOUNT	P/N 4-445 INCL. ITEMS 15,16,17,18 & HARDWARE	1
17	4-445B	BROOM SHAFT		1
18	4-445C	DRIVE TUBE BEARING		2
19	4-446	GROMMET-3/8 ID X 1-1/2 OD X .375		2
20	4-448	HANDLE GRIP		1
21	4-456	SIDE BROOM LONG LINK		1
22	4-457	ADJUSTMENT KNOB		1
23	4-515	RIGHT FLOOR SEAL		1
24	4-526	RH SEAL STRIP		1
25	H-10436-0010	1/4" X 1 1/4" SPRING PIN		1
26	H-10436-0105	3/8" X 1 1/4" SPRING PIN		1
27	H-19901	FB CASHD 1/4"-20 X 1/2"		7
28	H-2250- 218	1/2" X 1" CLEVIS PIN		1
29	H-250HCN	HCN 1/4"-20		50
30	H-25328	SSS CP 1/4"-20 X 3/8"		2
31	H-29055	RPH #10-32 X 5/8"		4
32	H-29576	FHP 1/4"-20 X 1 3/4"		4
33	H-36104	HN 5/16"-18		1
34	H-37015	NYLOK #10-32		4
35	H-37018	NYLOK 1/4"-20		8
36	H-37021	NYLOK 5/16"-18		2
37	H-38558	HCS M6-1.0 X 14		3
38	H-45285	HITCH PIN CLIP 9		2
39	H-50102	FW 5/8 X 1 5/16"		1
40	H-70001	HCS 1/4"-20 X 1/2 SS"		2
41	H-71063	LW 1/4" SS		5
42	H-72916	PPH SMS #8 X 3/4" SS		3
43	H-HAIR4	#4 HAIR PIN		1
44	H-ZCPI54	3/8" X 1 1/2" CLEVIS PIN		1
45	H-ZCP44	1/4" X 1 1/2" CLEVIS PIN		1

Main Broom Assy



Item	Part No.	Description	Comments	Qty
1	4-111	MAIN BODY		1
2	4-113	R. INNER SIDE PANEL		1
3	4-302	BELT, 3V X 475		1
4	4-316	BROOM DRIVE PULLEY		1
5	4-317	IDLER PULLEY		1
6	4-318	IDLER PULLEY		1
7	4-319	TENSION SPRING		1
8	4-360	REVERSE IDLER ARM		1
9	4-366	BUSHING, IDLER ARM		1
10	4-376	BROOM LIFT LEVER		1
11	4-377	BROOM LIFT SHAFT		1
12	4-380	LIFT LEVER BASE, LT		1
13	4-382	ROTARY LINK BASE		1
14	4-385	LIFT LEVER COLLAR		1
15	4-386	LIFT LEVER SPRING		1
16	4-401US	MAIN BROOM		1
17	4-410	BROOM SUSP. ARM		1
18	4-410A	SET COLLAR		1
19	4-412	BROOM DRIVE BEARING	P/N 4-415 INCL. P/N 4-412 & P/N 4-416	1
20	4-416	BROOM LATERAL ARM	P/N 4-415 INCL. P/N 4-412 & P/N 4-416	1
21	4-420	BROOM DRIVER	INCLUDES: KEY, SET SCREWS, AND ROLL PINS	1
22	4-421	SUPPORT BLOCK		1
23	4-4230	3/4" X 1" X 1/2" FLG BEARING	P/N 4-423 INCL. P/N 4-423B-L, 4-423B-R & 4-4230	1
24	4-423B-L	SUPPORT BRACKET TABS	P/N 4-423 INCL. P/N 4-423B-L, 4-423B-R & 4-4230	1
25	4-423B-R	SUPPORT BRACKET TABS	P/N 4-423 INCL. P/N 4-423B-L, 4-423B-R & 4-4230	1
26	4-430	IDLER ARM	P/N 4-435 INCL. 4-430, 4-432, 4-432A, & HARDWARE	1
27	4-432	IDLER DRUM	P/N 4-435 INCL. 4-430, 4-432, 4-432A, & HARDWARE	1
28	4-432A	IDLER DRUM SPACER	P/N 4-435 INCL. 4-430, 4-432, 4-432A, & HARDWARE	1
29	4-436	ADJ. BROOM LIFT	P/N 4-449 INCL. ITEMS: 10,11,12,14,15,33,34,39,51,52 & HDWE	1
30	4-437	BROOM LONG LINK		1
31	4-438	BROOM ROTARY LINK		1
32	4-439	BROOM CRANK LINK		1
33	4-448	HANDLE GRIP		1
34	H-10436-0010	1/4" X 1 1/4" SPRING PIN		1
35	H-10436-0105	3/8" X 1 1/4" SPRING PIN		2
36	H-13103	HCS 3/8"-16 X 3/4"		2
37	H-13213	HB 1/2" X 2 1/2"		1
38	H-19901	FB CASHD 1/4"-20 X 1/2"		12
39	H-2250- 218	1/2" X 1" CLEVIS PIN		1
40	H-250HCN	HCN 1/4"-20		50
41	H-25283	SSS CP #10-32 X 1"		1
42	H-25328	SSS CP 1/4"-20 X 3/8"		3
43	H-25435	SSS CP 5/16" X 1/4"		1
44	H-26316	SB 5/16" X 3/4" SS		1
45	H-29570	FHP 1/4"-20 X 1"		2
46	H-33008	FW 3/8" SAE		4
47	H-33622	LW 3/8"		3
48	H-36106	HN 3/8"-16		1
49	H-37018	NYLOK 1/4"-20		2
50	H-37030	NYLOK 1/2"-13		1
51	H-45285	HITCH PIN CLIP 9		2
52	H-50102	FW 5/8 X 1 5/16"		1
53	H-65035	3/32" X 7/8" COTTER PIN		3
54	H-70001	HCS 1/4"-20 X 1/2 SS"		2
55	H-71063	LW 1/4" SS		2
56	H-K1432	3/16" X 1/2" KEY		1
57	H-ZCPI54	3/8" X 1 1/2" CLEVIS PIN		1

14 Drive System



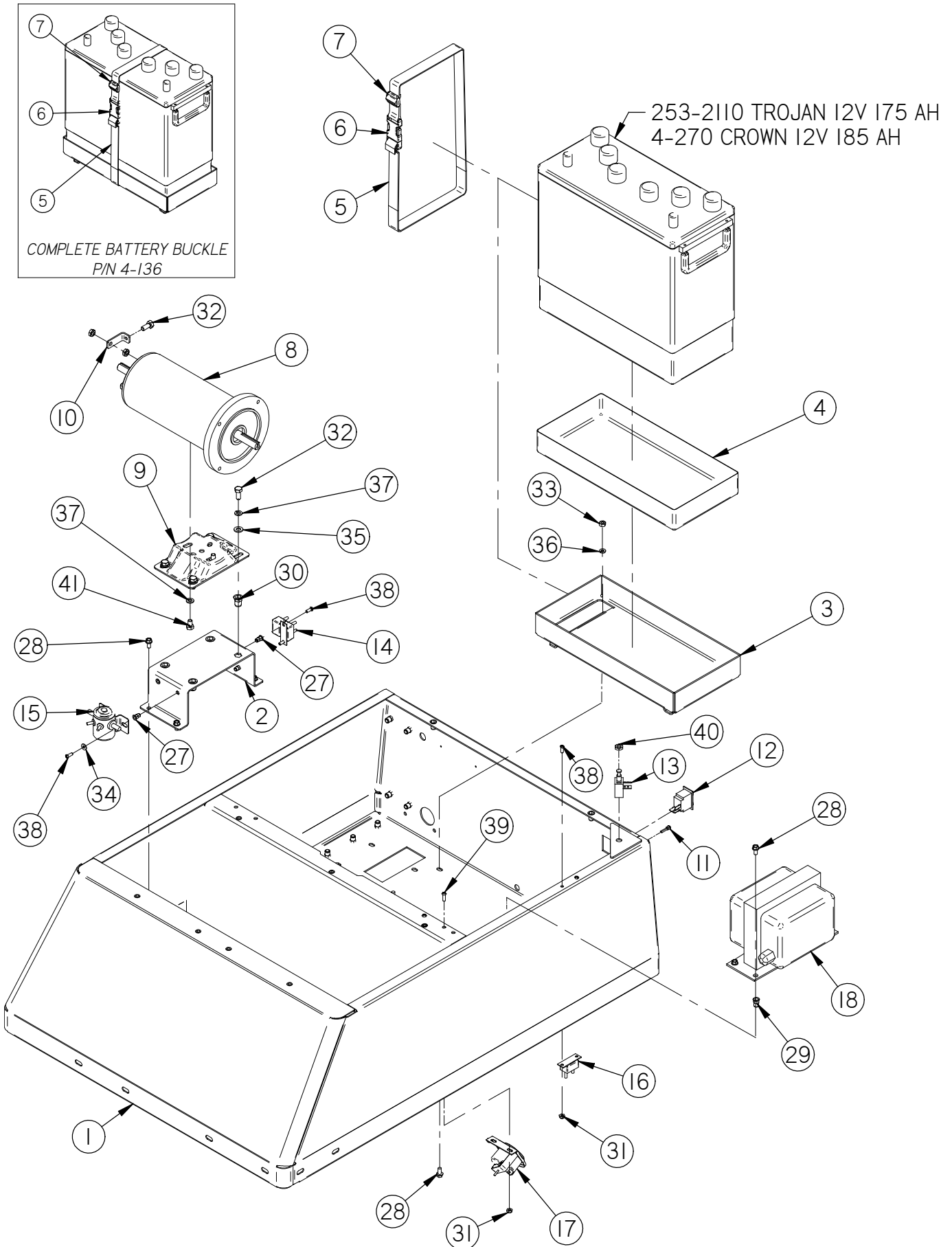
CLUTCH DONUT
P/N 4-332

TRANSMISSION ASSY
P/N 4-375

REAR TIRE, WIDE
P/N 4-358

Item	Part No.	Description	Comments	Qty
1	4-111	MAIN BODY		1
2	4-113	R. INNER SIDE PANEL		1
3	4-120	REAR INNER PANEL, LT		1
4	4-125	MOTOR SUPT BRACKET		1
5	4-201	12V,TWIN SHAFT MOTOR		1
6	4-201B	MOTOR CRADLE		1
7	4-210	TERMINAL CLIP		1
8	4-301	MAIN DRIVE PULLEY		1
9	4-311	BELT, 4L260		1
10	4-312	TRANS INPUT PULLEY	P/N 4-375 INCL. COMPLETE TRANSMISSION ASSY	1
11	4-313	REAR WHEEL CAPSTAN		1
12	4-314	CLUTCH MTG BRACKET		1
13	4-320	BROOM DRIVE PULLEY		1
14	4-330	CLUTCH WHEEL ASSY	CLUTCH DONUT ORDERED SEPARATE IS P/N 4-332	1
15	4-340	BRAKE SHOE		1
16	4-350	DIFFERENTIAL AXLE		1
17	4-352	BEARING		4
18	4-353	REAR TIRE, STANDARD		2
19	4-354	DRIVE CHAIN W/ MASTER LINK		1
20	4-358	REAR TIRE, WIDE	(OPTIONAL)	2
21	4-362	TRANS. HOUSING		1
22	4-364A	FLANGE, 1.75" ID	P/N 4-364 INCLUDES SET OF 2	8
23	H-10436- 00135	3/8" X 4 1/2" CLEVIS PIN		1
24	H-13003	HCS 1/4"-20 X 3/4"		4
25	H-13051	HCS 5/16"- 18 X 1/2"		2
26	H-13053	HCS 5/16"-18 X 3/4"		16
27	H-15220	HB 1/2"-13 X 4 1/4"		1
28	H-19901	FB CASHD 1/4"-20 X 1/2"		18
29	H-250HCN	HCN 1/4"-20		50
30	H-25153	SSS CP #8-32 X 1/4 "		4
31	H-25435	SSS CP 5/16" X 1/4"		2
32	H-312HCN	HCN 5/16"-18		4
33	H-33080	FW 5/16" SAE		4
34	H-33620	LW 5/16"		16
35	H-36102	HN 1/4"-20		4
36	H-36104	HN 5/16"-18		12
37	H-36204	JN 5/16"- 18		4
38	H-37030	NYLOK 1/2"-13		1
39	H-65076	1/8" X 1" COTTER PIN		1
40	H-68015	SNAPRING 3/4"		2
41	H-71063	LW 1/4" SS		4
42	H-K14320	3/16" X 1 1/4" KEY		5
43	P50352	FW 17/32"		4

16 Power Supply



Item	Part No.	Description	Comments	Qty
1	4-111	MAIN BODY		1
2	4-125	MOTOR MOUNTING BRACKET		1
3	4-128	BATTERY TRAY		1
4	4-128A	BATTERY TRAY LINER		1
5	4-136A	1" HD BLACK WEBBING	P/N 4-136 INCL. 4-136A, 4-137, & 4-137A	1
6	4-137	BATTERY BUCKLE	P/N 4-136 INCL. 4-136A, 4-137, & 4-137A	1
7	4-137A	TRIGLIDE	P/N 4-136 INCL. 4-136A, 4-137, & 4-137A	1
8	4-201	12V,TWIN SHAFT MOTOR		1
9	4-201B	MOTOR CRADLE		1
10	4-210	TERMINAL CLIP		1
11	4-227	LOW BATTERY LIGHT		1
12	4-229	3 POS ROCKER SWITCH		1
13	4-231	SAFETY SHUT OFF SWITCH		1
14	4-232	CIR. BREAKER - 12V/80A		1
15	4-233	RELAY, 12-V		1
16	4-235	CIR. BREAKER - 12V/6A		1
17	4-240	HOUR METER		1
18	4-244	BATTERY CHARGER		1
19	4-251	SUB-LEAD, BATTERY TO GREY 50 CONN.	NOT SHOWN	1
20	4-251N	SUB-LEAD, BATTERY TO GREY 50 CONN.	NOT SHOWN	1
21	4-252	SUB-HARNESS, GREY 50 TO 80 AMP BREAKER	NOT SHOWN	1
22	4-253	SUB-HARNESS, 80 AMP BREAKER TO SOLENOID	NOT SHOWN	1
23	4-254	SUB-LEAD, SOLENOID TO MAIN MOTOR	NOT SHOWN	1
24	4-255	SUB-HARNESS, MAIN WIRING HARNESS	NOT SHOWN	1
25	4-256	GREY 50 CONNECTOR WITH CONTACTS	NOT SHOWN	2
26	4-260	CONNECTOR, GREY 50	NOT SHOWN	2
27	H-1032HCN	HCN #10-32		11
28	H-19901	FB CASHD 1/4"-20 X 1/2"		12
29	H-250HCN	HCN 1/4"-20		50
30	H-312HCN	HCN 5/16"-18		4
31	H-37015	NYLOK #10-32		4
32	H-70053	HCS 5/16"- 18 X 3/4" SS		5
33	H-70710	HN 1/4"- 20 SS		4
34	H-71009	FW #10 SS		2
35	H-71015	FW 5/16 ID X 3/4 OD SS		4
36	H-71063	LW 1/4" SS		4
37	H-71065	LW 5/16" SS		6
38	H-72515	PPH #10-32 X 1/2" S/S		6
39	H-72517	PPH #10-32 X 5/8" SS		2
40	H-NJ06C	JNYL 3/8- 16 SS		1
41	HHCS - SS	HCS 5/16"- 18 X 1/2"		2