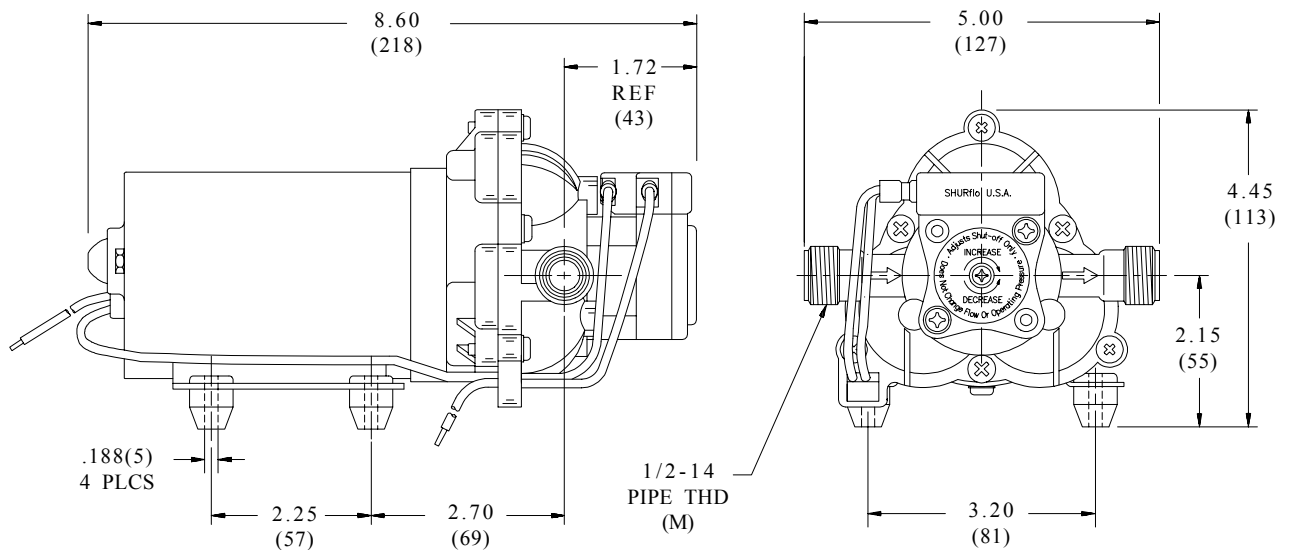


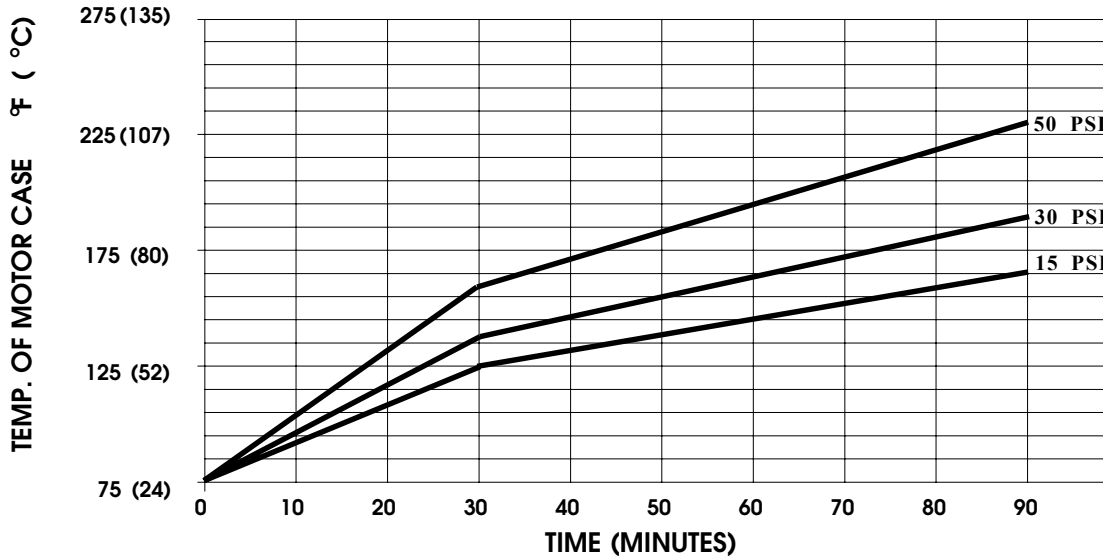
SPECIFICATIONS:

- MODEL NUMBER:** 2088-643-144
- PUMP DESIGN:** Positive Displacement 3 Chamber Diaphragm Pump
- CHECK VALVE:** (1-Way Operation) Prevents Reverse Flow
- CAM:** 3.0 Degree
- MOTOR:** Permanent Magnet, P/N 11-111-00
- VOLTAGE:** 12 VDC Nominal
- PRESSURE SWITCH:** Adjustable Shut-Off (Range 30-50 PSI)
 Factory Set @ 45 PSI, Turn On 25 ± 5 PSI
- LIQUID TEMPERATURE:** 170 Degrees Fahrenheit (77 Degrees Centigrade) Max.
- PRIME:** Self-Priming Up To 8.0 Ft. (2.4 Meters) Vertical,
 Max. Inlet Pressure 30 PSI (2.1 Bar)
- PORTS:** 1/2" - 14 Male Parallel Thread
- MATERIAL OF CONSTRUCTION:**
 - PLASTICS-** Polypropylene
 - VALVES-** Buna-n
 - DIAPHRAGM-** Santoprene
 - FASTENERS-** Zinc Plated Steel
- NET WEIGHT:** 4.8 Lbs (2.18 Kg)
- DUTY CYCLE:** Intermittent (See Temperature Rise Chart)
- TYPICAL APPLICATIONS:** General Industrial

DIMENSIONS:

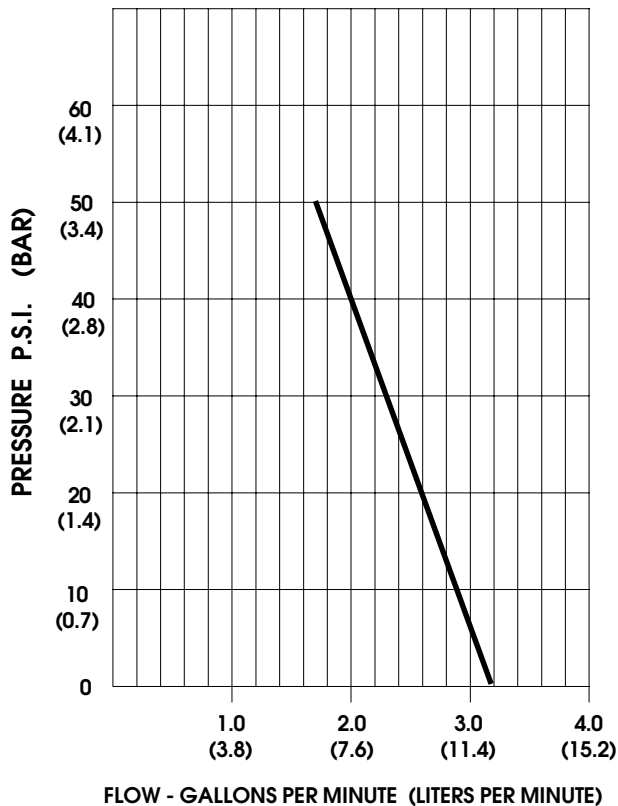


TEMPERATURE RISE



THIS GRAPH IS FOR USE AS A DESIGN GUIDE. IT IS BASED ON RUNNING CONTINUOUSLY WITH AN AMBIENT TEMPERATURE OF 70° F IN STILL AIR.

TYPICAL PERFORMANCE



PRESSURE (PSI)	FLOW (GPM/LIT)	RPM MIN/MAX	CURRENT (AMPS)	VOLTAGE (VOLTS)
OPEN	3.2/12.1	2050/2095	4.3	12 VDC
10	2.7/10.2	2030/2070	5.5	"
20	2.5/9.5	1905/1955	6.7	"
30	2.2/8.3	1780/1870	7.9	"
40	2.0/7.6	1725/1800	8.8	"
50	1.7/6.4	1680/1730	9.6	"

-SPECIFICATIONS SUBJECT TO CHANGE WITHOUT NOTICE.

-ALL DATA BASED ON TESTING WITH WATER.