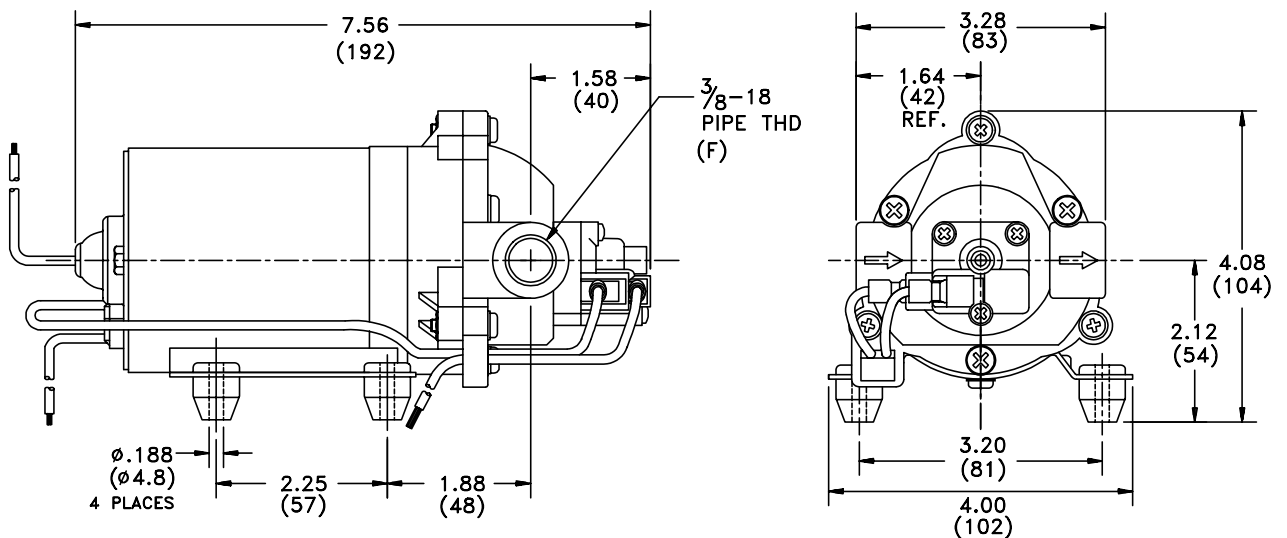


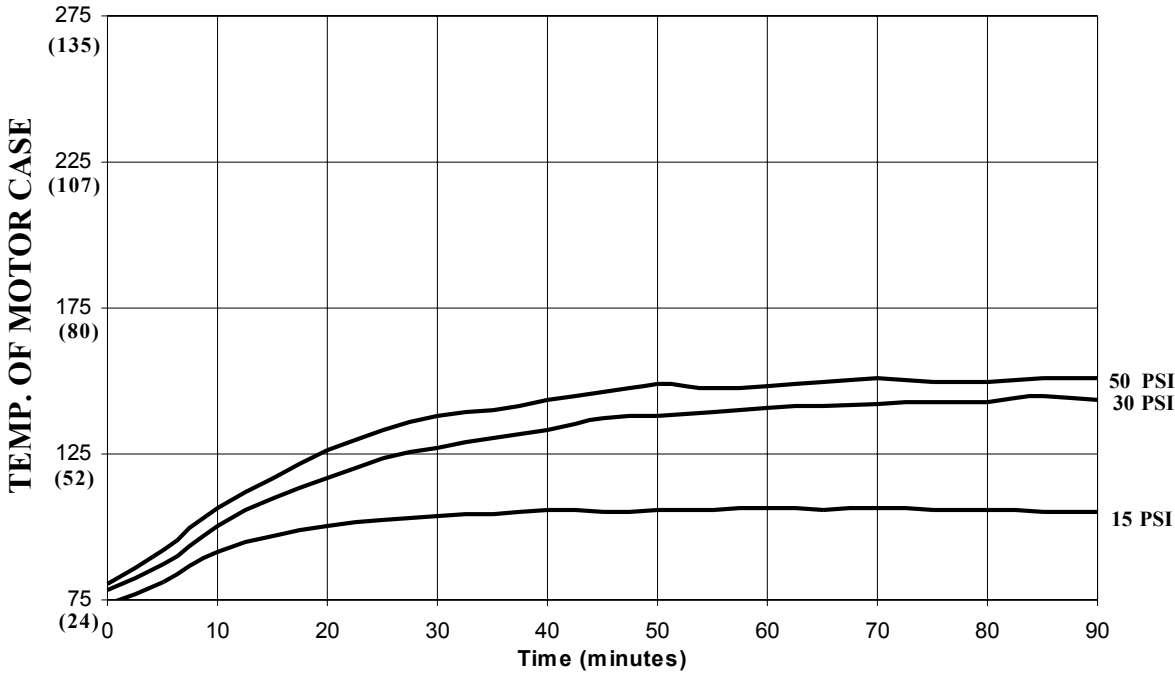
SPECIFICATIONS:

MODEL NUMBER: 8000-633-236
PUMP DESIGN: Positive Displacement 3 Chamber Pump
CHECK VALVE: (1-Way op.) Prevents Reverse Flow
CAM: 3.0
MOTOR: Permanent Magnet P/N 11-150-00 Thermally Protected
VOLTAGE: 115 VAC Nominal
PRESSURE SWITCH: Adjustable Shut-Off (Range 40-60 PSI)
 Factory Set @ 60 PSI, Turn On 45 ± 5 PSI
LIQUID TEMPERATURE: 170 Degrees Fahrenheit (77 Degrees Centigrade)
PRIME: Self-Priming up to 8.0 Ft. Vertical
PORTS: 3/8" -18 NPT Female
MATERIAL OF CONSTRUCTION:
 PLASTICS- Nylon
 VALVES- Buna
 DIAPHRAGM- Geolast (Std)
 FASTENERS- Zinc Plated Steel
NET WEIGHT: 3.8 Lbs (1.72 Kg)
DUTY CYCLE: Intermittent (See Temperature Rise Chart)
TYPICAL APPLICATIONS: Automotive Fluid Handling
APPROVALS: UL/CSA Recognized Component

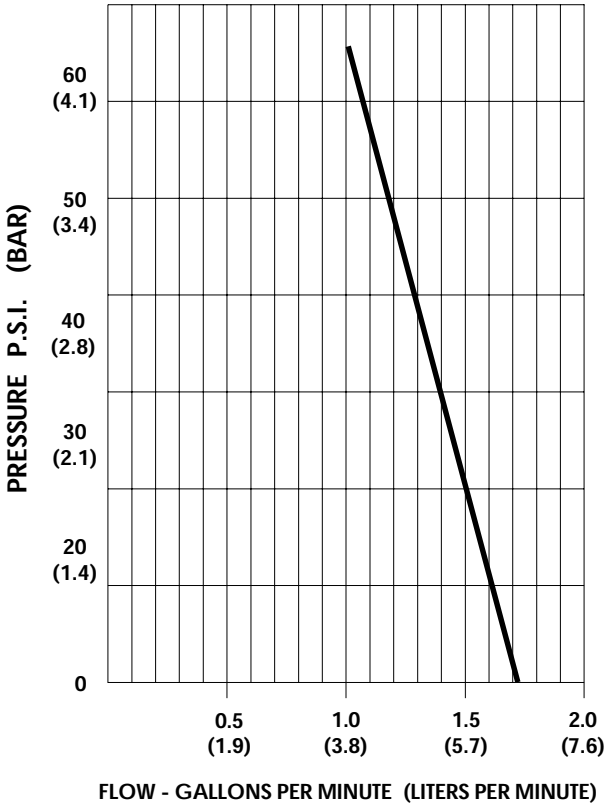
DIMENSIONS:



TEMPERATURE RISE



TYPICAL PERFORMANCE



PRESSURE (PSI)	FLOW (GPM/LIT)	CURRENT (AMPS)	VOLTAGE (VOLTS)
OPEN	1.70/6.4	.40	115V
10	1.59/6.0	.45	
20	1.47/5.6	.51	
30	1.36/5.1	.58	
40	1.25/4.7	.64	
50	1.16/4.4	.71	
60	1.07/4.0	.78	

*-SPECIFICATIONS SUBJECT TO CHANGE WITHOUT NOTICE.
 -ALL DATA BASED ON TESTING WITH WATER AT AMBIENT TEMPERATURE.*